



20-liter high-density polyethylene clean pails, Eco-type

Minimizes residual liquid and separates for easier disposal [Patent No. 6057835]



Compared to our conventional high-density polyethylene clean pails, we have greatly reduced the amount of residual liquid. By changing to an openable type, it is much easier to dispose of the external container separately. The design gives consideration to both total cost reductions and environmental measures.

Specifications

(Unit: mm)

Capacity	Pail height (exterior)	External diameter (lid)	External diameter (body)	External diameter (bottom)	External container thickness		Internal container thickness	Distance from cap to internal container's base
20L	433 ± 3	305 ± 2	287 ± 2	280 ± 2*	Lid 0.6	Bottom of body 0.5	1.0 or greater	410

* Including plastic ring

External container

Steel plate: Tin-free steel
Coating: Internal/external plastic coating

Internal container

Additive- and contaminant-free high-density polyethylene

Level of cross-contamination

50 or fewer particles of 0.2 μm or larger, per ml
5 or fewer particles of 0.5 μm or larger, per ml

Custom dispenser

In order to minimize residual liquid, please use the custom dispenser. As pressurized liquids can be dispensed, the dispenser can be used in clean rooms. All-PTFE and composite (cap: stainless steel, other: PTFE) construction available. * Please use a wrench to tighten appropriately.



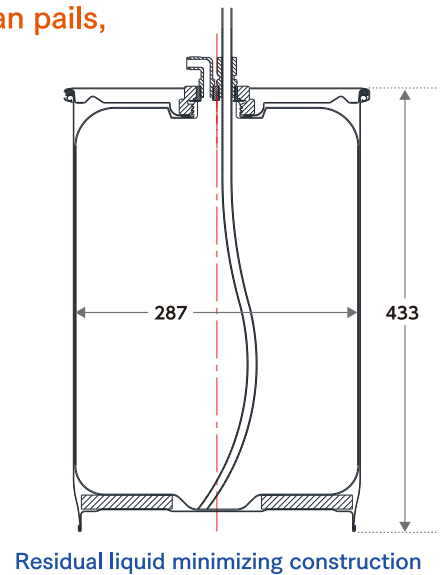
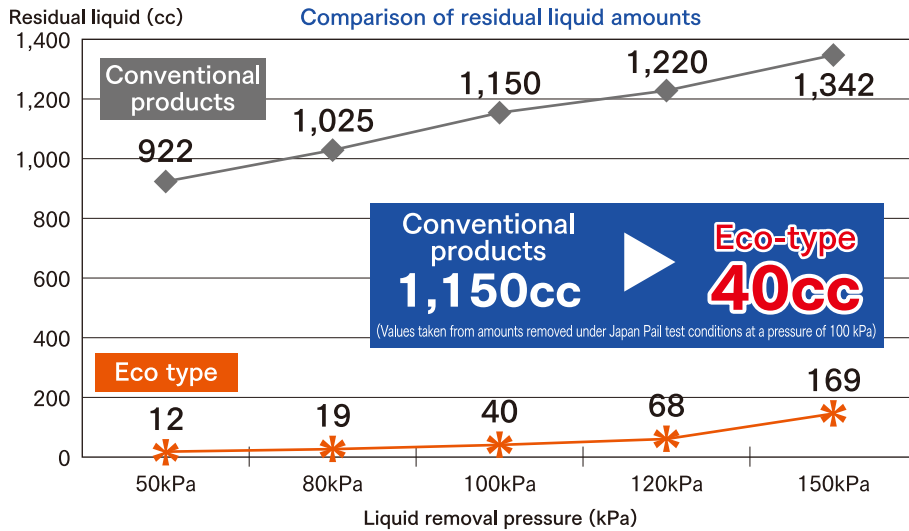
20-liter high-density polyethylene clean pails, Eco-type

Minimizes residual liquid and separates for easier disposal

[Patent No. 6057835]

Residual liquid minimization

Compared to our conventional high-density polyethylene clean pails, we have greatly reduced the amount of residual liquid



- Liquid dispensing efficiency is improved by building a residual liquid reservoir into the central part of the base of the steel construction.
- By placing the mouth in the center, the dispenser can more effectively reach the base of the liquid reservoir than in conventional models.

Separation method for environmentally friendly disposal

- 1 Open and remove the band
- 2 Remove the internal container
- 3 Remove the cap to enable removal of the lid
- 4 Separated for disposal

Exterior Interior